

# FlashSight™

## APPLICATIONS

- Clip-on Thermal Sight
- Covert Pocket Scope

## SHOCK RESISTANT, DUAL PURPOSE, IR SCOPE IDEAL FOR WEAPON SITE MOUNTING OR HANDHELD USE

### FEATURES AND BENEFITS

Designed for the demanding requirements of today's law enforcement and paramilitary professional, the FlashSight's small size, low weight, and affordable price make it the obvious choice for short range imaging applications in total darkness.

FlashSight, based on FLIR's ultra-sensitive OMEGA camera, puts the advantages of uncooled IR detector technology in an ergonomic and easy-to-use handheld surveillance tool. At less than nine inches, and operating on four AA batteries, the FlashSight is functional and portable for real-world and training applications.

### DUAL-USE, MISSION CONFIGURABLE

The FlashSight can be used as a handheld pocket scope for scouting or can be weapon-mounted for engagement. It is smaller and weighs less than competitive dual-use products. The FlashSight incorporates Picatinny Rail for easy weapon mounting.

### SELECTABLE SILENT MODE

With a selectable silent operating mode, the FlashSight can be used in even the most covert applications. Tested under fire, the FlashSight is based on proven miniature Infrared camera technology.

### IMAGE CAPTURE

The FlashSight will capture and internally store up to 30 images at a time. The docking station allows for image transfer via USB 2.0.

### SIMPLE OPERATION

One button touch allows for selection of black-hot/white-hot, to superimpose a moveable reticle, and change image contrast.

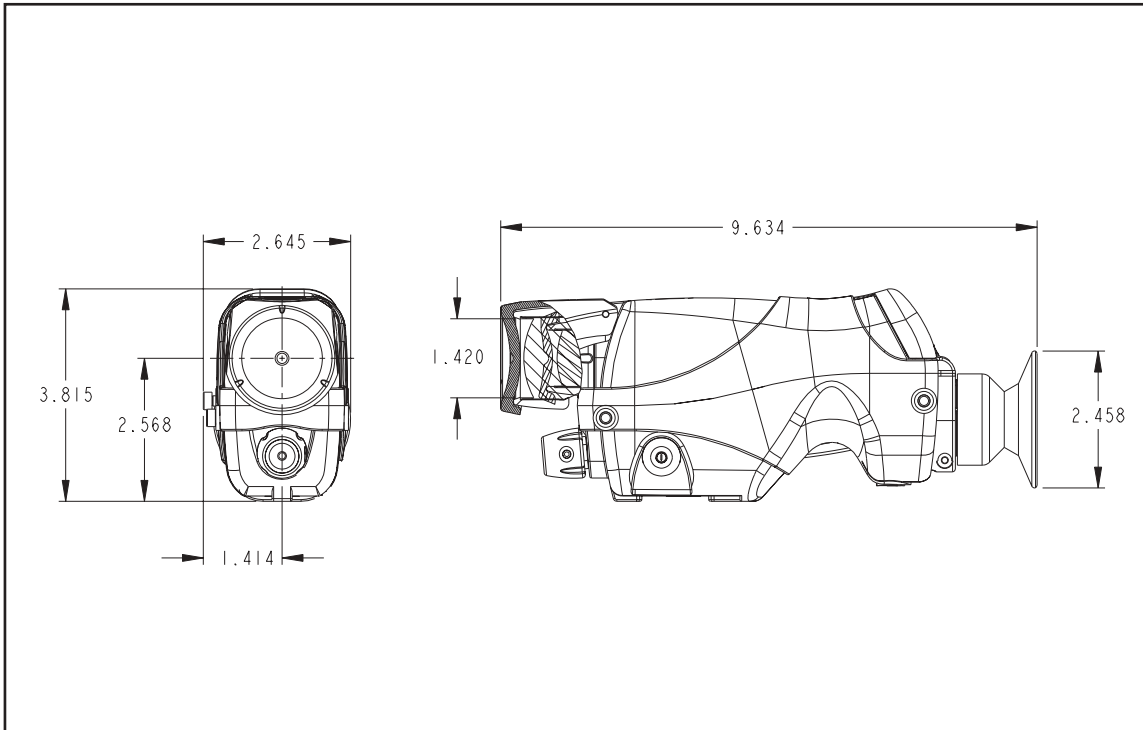


## SYSTEM SPECIFICATIONS

Focal Plane Array	Vanadium Oxide Microbolometer
Spectral Band	7.5 to 3.5 microns
FPA Cooling	Not required
Optics, 50mm focal length	30mm or 50mm focal length
Field of View	15° x 11°, 9° x 7°
On-Camera Controls	Gain, Auto/Gain, level, polarity, power on/off, non-uniformity correction, reticle adjust, focus.
Video Output	RS-170 compatible, SMA connector
LCD Display	320 x 240 pixels
Battery Life	More than 4 hours
Battery Type	4 - AA cell
Weight	1.4 pounds complete including battery and lens
Size	Less than 9 inches in length
Operating Temperature	-40°C - +55°C
Environmental	Sealed and ruggedized to IP-54
Audible Security	Inaudible at greater than 10 meters
Weapon Mount	Compatible with Picatinny Rail
Color	Flat black, non-reflecting finish

## ACCESSORIES

Lens Cap	Attached to camera
DC Power Adaptor	6 - 28 VDC input
Docking Station	Enables image capture download via USB 2.0
Operators Manual	Covers operation and operator-level maintenance



Equipment described herein may require US Government authorization for export purposes. Diversion contrary to US law is prohibited.  
 ©2004 FLIR Systems, Inc. Specifications are subject to change. Check website.

## CORPORATE HEADQUARTERS

FLIR Systems, Inc.  
 16505 SW 72nd Ave.  
 Portland, OR 97224  
 USA  
 PH: +1 503.684.3731  
 PH: +1 800.322.3731  
 FX: +1 503.684.3207

## BOSTON

FLIR Systems, Inc.  
 25 Esquire Road  
 North Billerica, MA 01862  
 USA  
 PH: +1 978.901.8000  
 PH: +1 800.GO.INFRA  
 FX: +1 978.901.8885

## EUROPE

FLIR Systems Ltd.  
 2 Kings Hill Avenue  
 West Malling, Kent  
 ME19 4AQ  
 United Kingdom  
 PH: +44.1732.220011  
 FX: +44.1732.220014

## CANADA

FLIR Systems Ltd.  
 5230 South Service Road  
 Suite 125  
 Burlington, ON L7L 5K2  
 Canada  
 PH: +1 800.613.0507  
 PH: +1 905.637.5696  
 FX: +1 905.639.5488

## SWEDEN

FLIR Systems AB  
 Rinkebyvagen 19  
 P.O. Box 3  
 SE-182 11 Danderyd  
 Sweden  
 PH: +46.8.753.2500  
 FX: +46.8.753.2364

## MIDDLE EAST

FLIR Systems  
 c/o Middle East Optronics,  
 FZCO  
 Unit C-13  
 Dubai Airport Free Zone  
 P.O. Box 54262  
 Dubai  
 United Arab Emirates  
 PH: +9714-299.6898  
 FX: +9714-299.6895